

7037
713



AllStyle Coil Company L.P.
Brittmore Houston TX 77041
466 6333

CONDENSATE FLOAT INSTALLATION INSTRUCTIONS

These instructions are for use by qualified and experienced HVAC installation personnel. Some states require that these installers be licensed. These instructions must only be used in conjunction with the installation of AllStyle Coil Company products and are intended to only advise and assist the installer.

READ THESE INSTRUCTIONS CAREFULLY AND COMPLETELY

This product is designed and manufactured to permit installation in accordance to local, state and national building codes. It is the responsibility of the installer to perform the work according to these codes.

IMPROPER INSTALLATION MAY DAMAGE EQUIPMENT, CREATE A HAZARD AND VOID WARRANTY

PURPOSE: The purpose of the condensate float switch is to disconnect control power to the thermostat in the event that water rises to potential over-flow levels in the evaporator drain pan. The activation of the switch is an indicator that a blockage and/or restriction exist in the drain system and must be corrected in order to resume normal operation.

OPERATION: The float is connected to the secondary drain line connection through the use of a tee. This tee must be mounted in a vertical position with the open end facing upward. The float is then inserted, seated and wired as indicted on the wiring diagram. As water rises, it begins to enter the tee. The float rises with the rising water level and opens the integral switch. This switch is a normally closed contact between the transformer and the thermostat input power connection (usually "R"). As the water rises and trips the switch, power is interrupted to the thermostat thus shutting down all components that it powers (indoor fan, compressor, etc.). Turning off these components prevents further condensate build up.

INSTALLATION: Refer to the typical installation figures on the reverse side of these instructions for details. Turn off the power to all equipment before beginning installation. More than one disconnect may be required in order to do this.

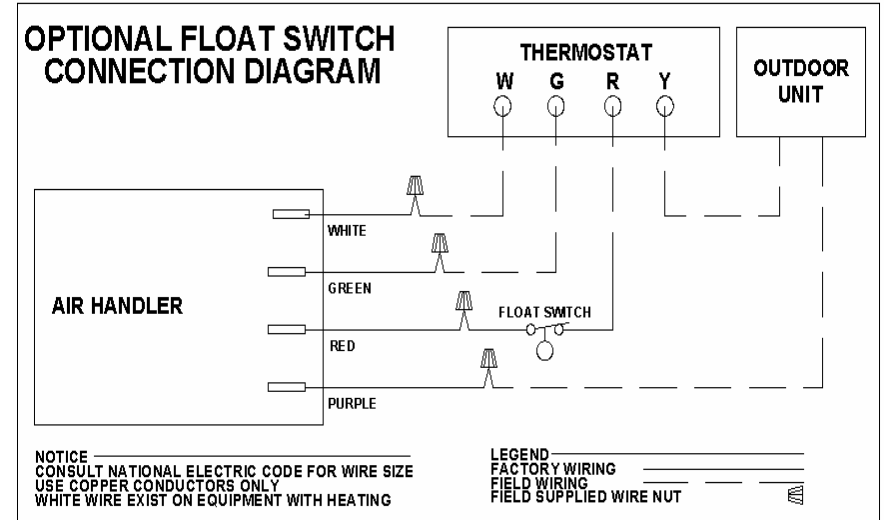
Tee: The tee is installed on the secondary drain line connection. This connection is the higher of the two drain pan connections. **USE TEFLON TAPE ONLY** to seal the threads.

NEVER USE "PIPE DOPE" FOR DRAIN PAN CONNECTIONS

Hand tightening of the tee is sufficient in most cases. **THE TEE MUST BE INSTALLED IN A VERTICAL POSITION WITH THE OPEN END OF THE TEE UPWARD.** Ensure sufficient tightening that vibrations and/or temperature changes will not loosen the tee.

Float: The float is inserted into the tee with the "plunger" portion down. The cap fits snugly in the tee. **DO NOT GLUE THE CAP/FLOAT INTO PLACE.** This will require removal in the future for inspection and should be added item to any maintenance program.

Wiring: The below diagram can be referenced for proper connection. The float is installed in order to "cut" the power from the transformer to the thermostat, any convenient location in this 24 VAC line can be cut.



Verification: The following procedure will test the float. Loosen the float assembly such that it can be raised from the tee and the float can be handled. Restore power to the equipment. Adjust the thermostat to call for cooling. Verify that indoor and outdoor units are operating. Lift the assembly from the tee and raise the float to its highest position. When properly installed, all equipment will cease operation. Check that both the indoor and outdoor units are off. Return the float assembly to the tee.

Special Notes: The tee and float assembly are designed as a set. Field supplied parts can not be substituted and assure proper operation.

The tee is non-draining. This means, in the event that it becomes filled with water from an overflow condition, clearing the blockage of the drain line will NOT "re-set" the float. The tee must be dried out with the use of a rag inserted into the tee or the tee is rotated and its contents poured out.

7037
713



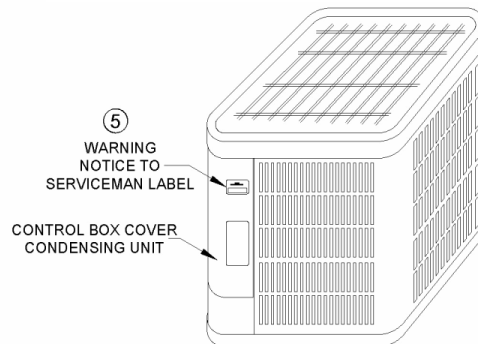
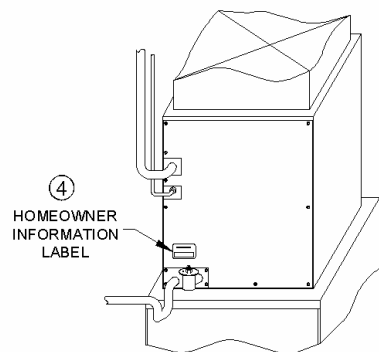
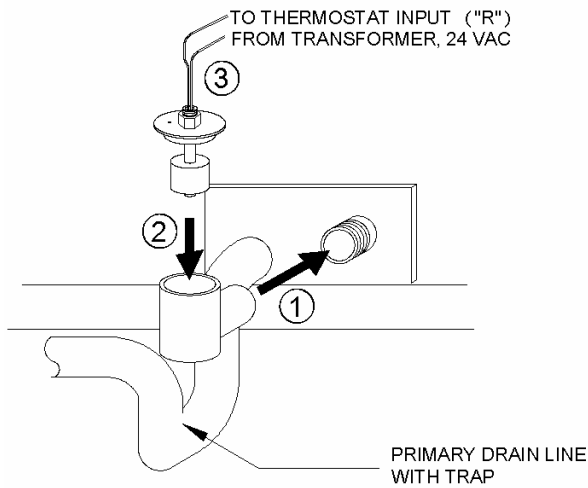
AllStyle Coil Company L.P.
Brittmore Houston TX 77041
466 6333

CONDENSATE FLOAT INSTALLATION INSTRUCTIONS

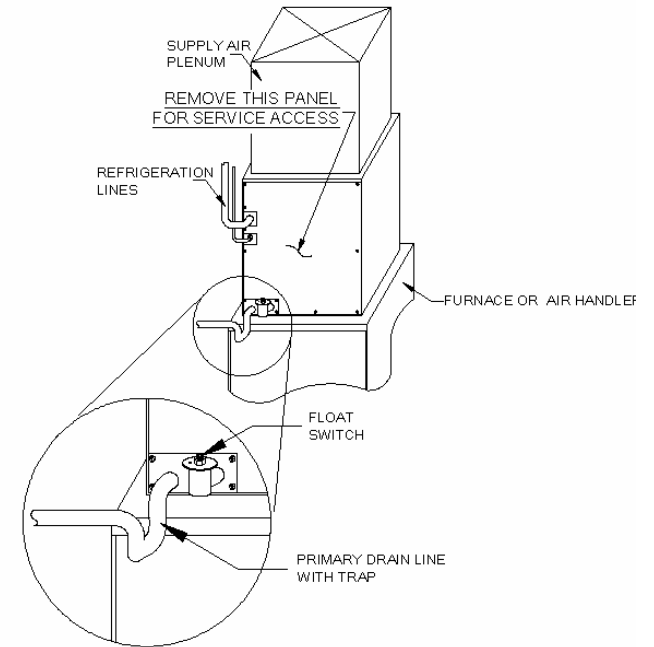
READ THE INSTRUCTIONS ON THE REVERSE SIDE OF THIS PAGE CAREFULLY AND COMPLETELY

IMPROPER INSTALLATION MAY DAMAGE EQUIPMENT, CREATE A HAZARD AND VOID WARRANTY

OUTLINE OF INSTALLATION STEPS



TYPICAL VERTICAL INSTALLATION



TYPICAL HORIZONTAL INSTALLATION

