



UP-FLOW CASED COILS AS(P)-A & AS (P)-M



STANDARD FEATURES

- EMBOSSED GALVANIZED STEEL CASE
- HEAVY RIFLED COPPER TUBING
- ALUMINUM FINS
- LOW CORROSION ALUMINUM END PLATES
- PRESSURE TESTED TO 450 LBS.
- DUAL RATED FOR R-22 AND R-410a
- STANDARD POLYMER DRAIN PAN
- INSULATED CABINET WITH
- REDUCED FIBERGLASS EXPOSURE
- INDENTED CABINET PANELS
- EASY OPENING FRONT ACCESS PANEL
- PITCHED DRAIN PAN WITH
- LOWER HEAT SHIELD
- METERING DEVICE ACCESSIBLE FROM
- CABINET EXTERIOR



OPTIONAL FEATURES

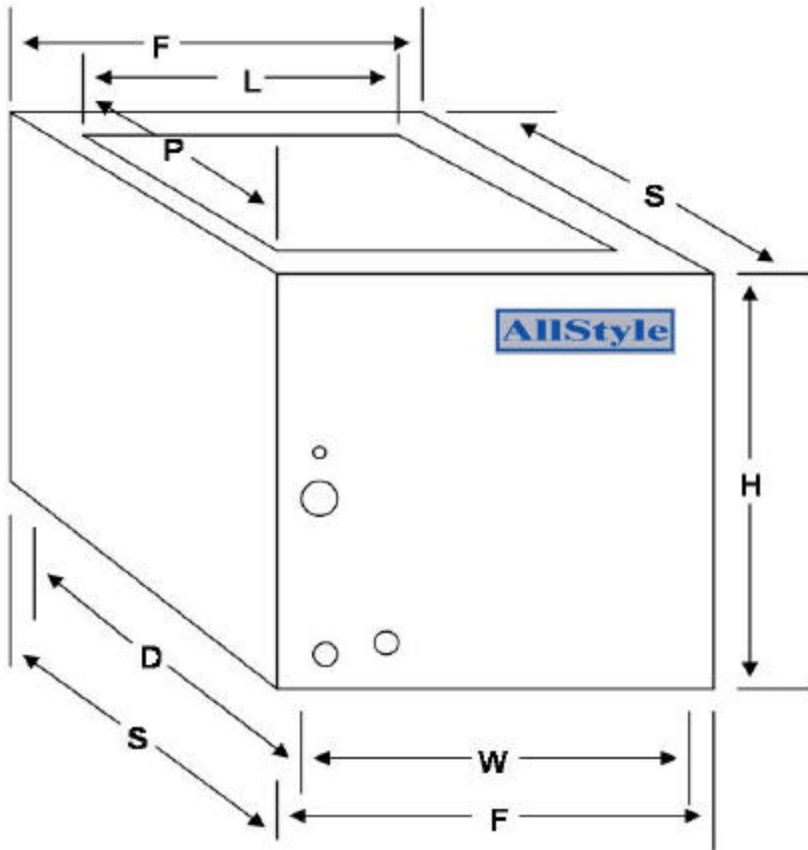
- PAINTED CASE WITH A CHOICE OF COLORS
- RIGHT HAND DRAIN CONNECTIONS
- RIGHT HAND REFRIGERANT CONNECTIONS
- GALVANIZED STEEL OR NYLON DRAIN PANS
- A CHOICE OF THERMAL EXPANSION VALVES
- HEAT PUMP (P) COMPATIBLE
- 19 DIFFERENT CABINET SIZES
- ANTI-MICROBIAL DRAIN PANS



5-YEAR LIMITED WARRANTY AGAINST COIL LEAKAGE
5-YEAR LIMITED WARRANTY AGAINST DRAIN PAN BREAKAGE
1-YEAR LIMITED PARTS WARRANTY

AllStyle Coil Co., L.P. 7037 Brittmore; Houston, Texas 77041 • 713 466 6333 • FAX 713 466 6363 • www.allstyle.com

UP-FLOW CASED COILS AS(P)-A & AS (P)-M



Specify coil width needed when ordering.
Example: ASUC24-A264T+D-5LH

Specify left or right hand refrigerant and drain connections.
Example: ASUC24-A264T+D-5 LH

To specify a heat pump coil, when ordering add "P" (heat pump) in the coil model number.
Example: ASUCP24-A264T+D-5LH

3/4" MPT primary & secondary drain connections are standard

3/8" liquid line connection

Suction line connections
1.5 to 3.0 ton 3/4"
3.5 to 5.0 ton 7/8"

CABINET DIMENSIONS

Cabinet Model Number	Uncased Coil Depth	Uncased Coil Width	Cabinet Width "F"	Cabinet Depth "S"	Leaving Air Width "L"	Leaving Air Depth "P"	Entering Air Width "W"	Entering Air Depth "D"	Cabinet Height
5S	21.00"	13.00"	13.50"	21.50"	11.75"	19.75"	12.25"	20.25"	***
5	21.00"	13.00"	14.50"	21.50"	12.75"	19.75"	13.00"	20.25"	***
5G	21.00"	13.00"	14.00"	21.50"	12.25"	19.75"	12.75"	20.25"	***
6	21.00"	15.00"	16.50"	21.50"	14.75"	19.75"	15.25"	20.25"	***
6S	21.00"	17.00"	17.25"	21.50"	15.50"	19.75"	16.00"	20.25"	***
6A	21.00"	17.00"	18.00"	21.50"	16.25"	19.75"	16.75"	20.25"	***
6H	21.00"	15.00"	15.50"	21.50"	13.75"	19.75"	14.50"	20.25"	***
6G	21.00"	17.00"	17.50"	21.50"	15.75"	19.75"	16.25"	20.25"	***
6R	21.00"	17.00"	17.50"	21.50"	15.75"	19.75"	16.25"	20.25"	***
7	21.00"	17.00"	18.50"	21.50"	16.75"	19.75"	17.25"	20.25"	***
7H	21.00"	17.00"	19.13"	21.50"	17.38"	19.75"	18.13"	20.25"	***
8S	21.00"	20.00"	20.50"	21.50"	18.75"	19.75"	19.25"	20.25"	***
8	21.00"	21.00"	21.25"	21.50"	19.50"	19.75"	20.25"	20.25"	***
8A	21.00"	24.00"	24.50"	21.50"	22.75"	19.75"	23.50"	20.25"	***
8G	21.00"	21.00"	21.00"	21.50"	19.25"	19.75"	20.00"	20.25"	***
8H	21.00"	21.00"	22.75"	21.50"	21.00"	19.75"	21.75"	20.25"	***
8Y	21.00"	21.00"	22.25"	21.50"	20.50"	19.75"	20.00"	20.25"	***
9	21.00"	24.00"	25.50"	21.50"	23.75"	19.75"	24.25"	20.25"	***
9G	21.00"	24.00"	24.50"	21.50"	22.75"	19.75"	23.50"	20.25"	***

*** Cabinet Height will vary depending on the coil used
Specifications subject to change without notice